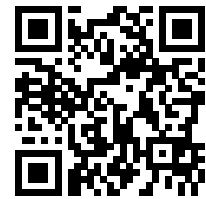


4" DRY BREAK COUPLINGS

(164MM DN100)



AUGMENTED REALITY
VISUALISATION SCAN
THIS QR CODE



Smartflow Couplings Ltd have developed a 4" dry break coupling that is interchangeable with all dry break couplings designed around the TEAMSPEC / STANAG 3756 specifications.

These couplings are available in a range of materials, end connections and seal types to suit the large range of industries using them. These include offshore and onshore oil & gas, marine bunkering and chemical applications. Health and Safety and environmental regulations are becoming increasingly common, as a result many applications are turning to advanced couplings such as this to improve the efficiency of their fluid transfer process.

Smartflow Couplings Ltd have value engineered the design and manufacturing processes to keep this widely used 4" product as competitively priced as possible.

KEY FEATURES

- **25 BAR MAX WORKING PRESSURE**
- **VERY SIMPLE MAINTENANCE AND SERVICE PROCEDURE**
- **FULL TRACEABILITY, CERTIFICATE OF CONFORMITY AND 3.1 MATERIAL CERTIFICATES PROVIDED**
- **TEAM SPEC: INTERCHANGEABLE WITH OTHER MANUFACTURERS**
- **SELECTIVITY/KEY OPTIONS**
- **VARIETY OF MATERIALS AND CONFIGURATIONS AVAILABLE**
- **LASER ENGRAVED BADGES**

Type	Code	Size	Code	Material	Code	Connection Size	Code	Connection Type	Code	Seal Material	Code	Specials	Code
Hose Unit	H	4"/164	B	Aluminium	A	4"	J	BSPP Female threads	Z	FKM (Viton)	01	Standard	
Tank Unit	T			Stainless Steel 316L	S			NPT Female Threads	Y	Nitrile	02	Double Handle	D
								ASA 150 RF Flange	U	EPDM	05	Wheel Handle	W
								PN16 RF Flange	R	FFKM (Kalrez)	06		

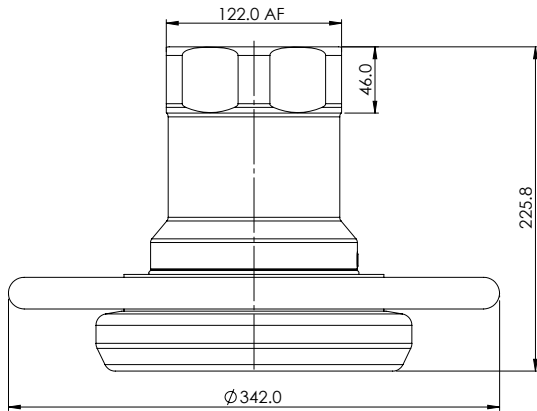


+44 (0)1207 750606
www.smartflowcouplings.com
info@smartflowcouplings.com

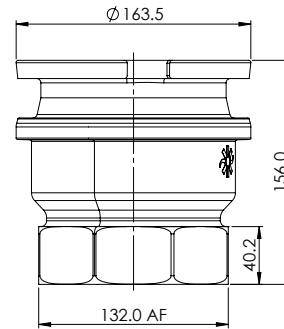
4" DRY BREAK COUPLINGS (164MM DN100)



HOSE UNIT



TANK UNIT



	Tank Unit	Hose Unit
Weight (Aluminium)	2.8	8
Weight (Stainless Steel)	8.6	14.5
DN	100mm	
Working Temperature	-20°C to 60°C	
Max Working Pressure (Aluminium)	25 Bar	
Max Working Pressure (Stainless Steel)	25 Bar	
Max Dis/Connection Pressure	4 Bar	
Max Flow (Kerasene 20°C)	3,360 L/pm	

*Ask us for flow data from TUV National Engineering Laboratory



SIMPLE TO OPERATE



1. ALIGN THE COUPLING



2. PUSH IN PLACE



3. TWIST 1/3 TURN CLOCKWISE TO LOCK IN PLACE & RELEASE FLOW

TO DISCONNECT - JUST REVERSE THE STEPS